

# SMD Lighting

## 18 SMD Single Pancake Lamp



Model: L26-0085



## Green|SERIES

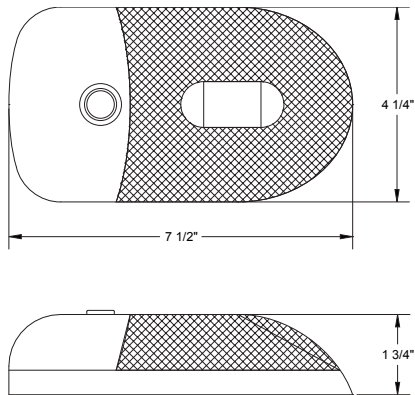
### PRODUCT INFORMATION

#### FEATURES

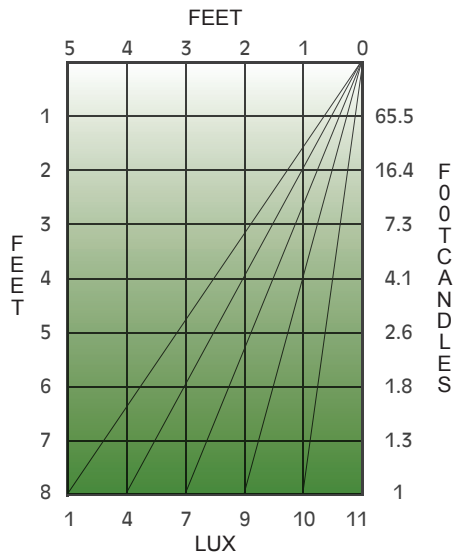
- Run 10 Green Series 18 SMD (Surface Mount Diodes) Single Pancake Lamps versus 1 incandescent version from power source.
- Reduce battery power consumption by 85%.
- Bright Daylight White spectrum SMDs.
- Easy operation, one-way on/off switch.
- Compact size and fashionable assembly.
- White ABS plastic housing.
- PMMA lens.

#### OTHER OPTIONS

#### DIMENSIONS



#### LIGHT OUTPUT AT 8 FEET IN LUX



#### SPECIFICATIONS

- Light Source: 18 SMD (Surface Mount Diodes); 5500 Kelvin, 171 Lumens
- Designed at: 12VDC, 0.135 Amp, 1.60 Watts

#### ACCESSORIES

Bezel Model: L12-0096

- White ABS plastic



Thank you for your interest in Kaper II, Inc.

Kaper II, Inc. tel: 800-336-2011  
 2212 1/2 Parrott Way fax: 360-423-0785  
 Kelso, WA 98626, USA www.kiigreenseries.com

#### PRODUCT RECOMMENDATION

To reduce the risk of fire, burns, or injury, use lights only in the manner intended by Kaper II. Should you have questions regarding your installation, please contact Kaper II before applying power.